

# FORKLIFT DUMPER

## AUTOMATIC & SAFE ELEVATED TOTE AND CRATE UNLOADING



The Forklift Dumper unloads bulk product containers quickly, improving the production and efficiency of your food processing line without compromising safety or traffic. Continuous unloading minimizes product damage while keeping production running. Various configurations, safety factors, load heights, and options ensure the Forklift Dumper can be seamlessly added to your process or integrated into your line.

- Single stage with 60-degree discharge angle
- Handle up to 1,800 pounds totes on standard model or 3,000 on the 5:1 safety factor design
- Optional positive seal system lifts and seals the box before tilt – eliminating the possibility of debris
- Sanitary open-frame, tubular design with RTE level available

### COMMON FOOD APPLICATIONS



BAKERY



CEREAL



DAIRY



FRESH PRODUCE



FROZEN



MEAT



NUTS



PASTA



PET FOOD



SNACK FOOD



# FORKLIFT DUMPER

## FEATURES + SPECS

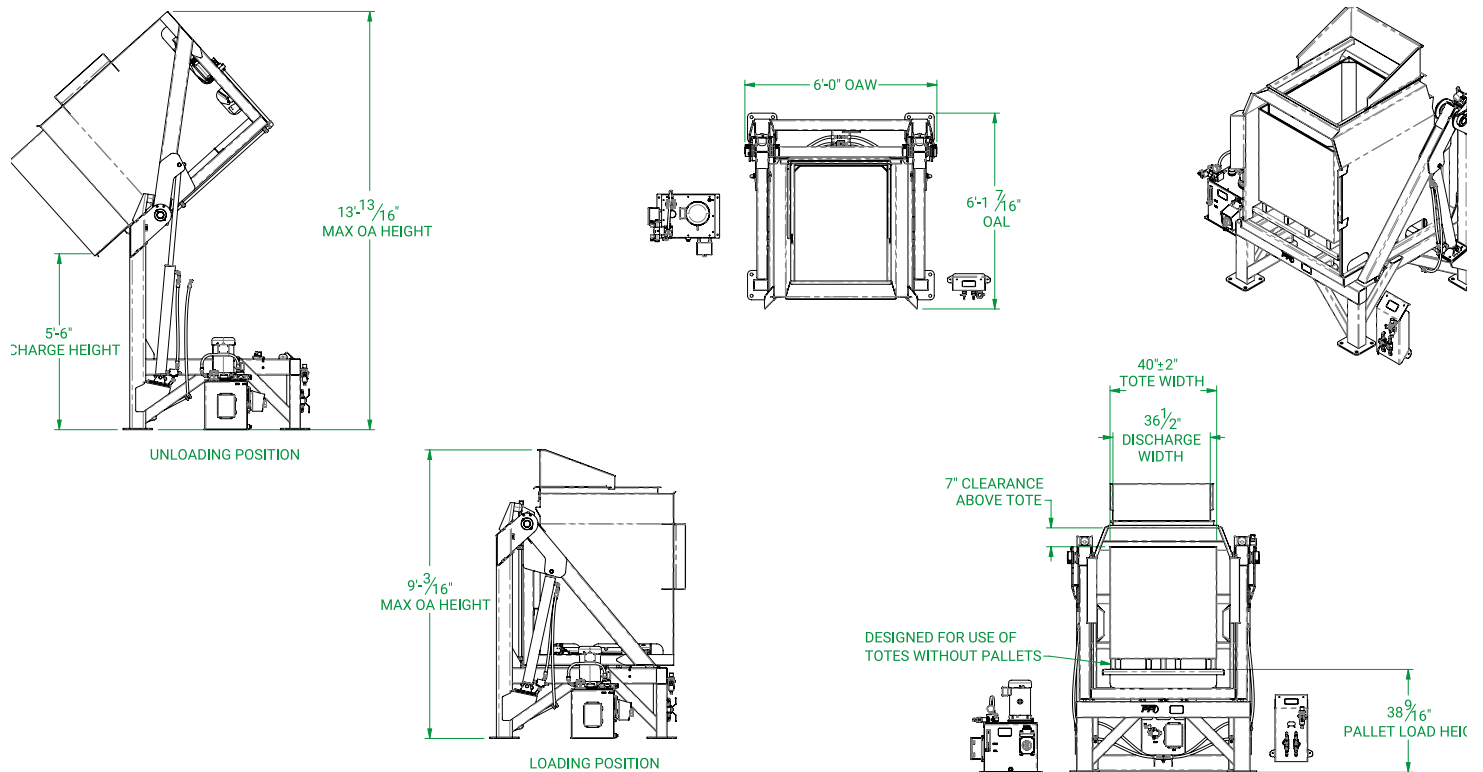
Key details to help you decide if the Forklift Dumper is right for your operation.

- Hydraulic cylinders
- Single stage tilt
- 60-degree discharge angle
- Dumping Height: 66" (1676 mm) and up
- Weight Capacity: up to 3,000 lbs. standard

## OPTIONS

Additional equipment options to customize the Forklift Dumper precisely to your application.

- Stainless steel or mild steel construction
- Wash down or RTE sanitation levels
- Positive seal system
- 3:1 or 5:1 safety factor
- Mounted or separate control



This drawing contains confidential information is the exclusive property of the J.E. Grote Co. Neither this document, nor its contents, are to be used, reproduced or disclosed in whole or in part without the express written permission of the J.E. Grote Co. Copyright 2022, J.E. Grote Company, Inc.

09.22v1

## CONTACT US

Ready to get started on your configuration? Contact us to customize the Forklift Dumper to your application, layout, and processes.



To feed our growing world - Together  
sales@pfi conveyors.com  
pfi conveyors.com