

PURMOTION

GENTLE HANDLING, FLEXIBLE,
SANITARY, AND LOW-MAINTENANCE



The PURmotion horizontal motion conveyor smoothly conveys a variety of products throughout your food processing line. Its patent-pending controls allow instant start/stop and reversing and constant feed rates without disruption – giving you consistent uptime and flow. The PURmotion builds on the time-tested horizontal motion technology with features and options designed for all of your key operation, engineering, safety, and quality teams in mind.

- Smoothest product handling technology, eliminating breakage and seasoning/fine loss
- Instant start/stop and reversing and quiet, dependable operation with a sealed Servo drive
- Sanitary design with wipe down pans, IP69k components, open frame, no hollow tubing, and minimal moving parts

COMMON FOOD APPLICATIONS



BAKERY



CANDY



CEREAL



DAIRY



FRESH PRODUCE



FROZEN



MEAT



NUTS



PASTA



PET FOOD



READY-TO-EAT



SNACK FOOD



PURMOTION

FEATURES + SPECS

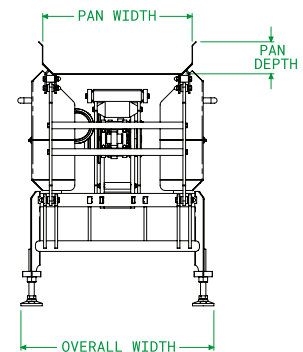
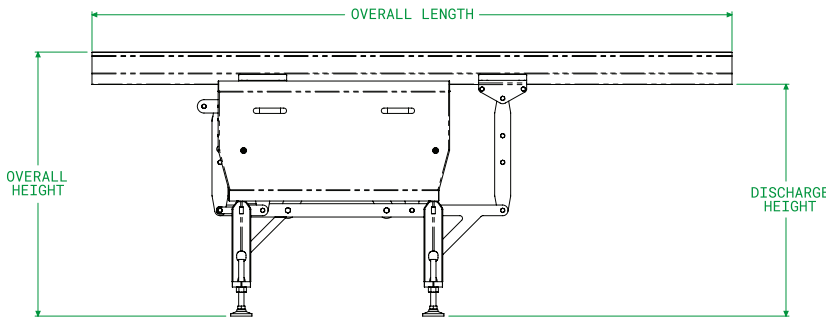
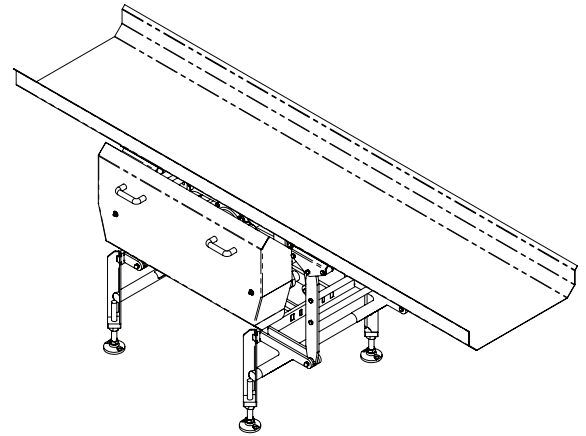
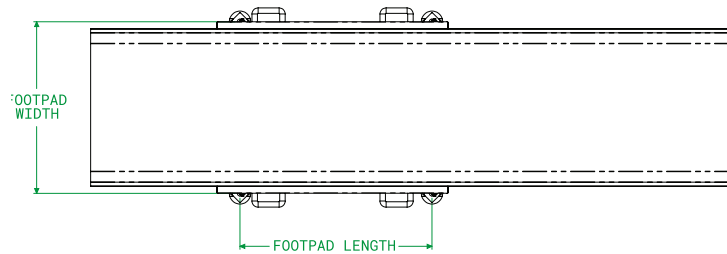
Key details to help you decide if the PURmotion is right for your operation.

- Sealed Servo drive
 - No belts, chains, or pulleys
 - Solid round bar counterweight system
 - All IP69k components
 - Pans: stainless steel, smooth, textured
 - Lightweight, easily removed guarding
-
- Standard width: up to 36" (914 mm)
 - Standard length: up to 20' (610 cm)
 - Speed/Rate/Flow: up to 45 ft³/min

OPTIONS

Additional equipment options to customize the PURmotion precisely to your application.

- Floor, platform, or ceiling mounted
- Wipe down or RTE sanitation levels
- Pneumatic gates: slide, split side, end flip
- Straight or bias (up to 45 degrees) inlets and outlets
- Platforms and support systems



This drawing contains confidential information is the exclusive property of the J.E. Grote Co. Neither this document, nor its contents, are to be used, reproduced or disclosed in whole or in part without the express written permission of the J.E. Grote Co. Copyright 2022, J.E. Grote Company, Inc.

09.22v1

CONTACT US

Ready to get started on your configuration?
Contact us to customize the PURmotion
to your application, layout, and processes.



To feed our growing world - Together
sales@pficonveyors.com
pficonveyors.com