

PURLIFT

POSITIVE DRIVE, VERTICAL LIFT CONVEYOR - NOT JUST FOR DOUGH



The PURLift positive drive vertical lift conveyor fits in tight spaces where you need to elevate your food processing line. Its positive drive system and self-tracking belt keep your product and operation moving. Sanitation is more efficient with caster footing to move on and off the line quickly, and a pneumatic belt tensioning system doubles as a quick release take up.

Historically known as a dough elevator, we've optimized the PURLift for a range of manipulative, consistent products such as peanut butter, meat, and even green beans.

- Lift product up to 90 degrees vertical between double "sandwiched" conveyor belts
- Automatic infeed keeps product moving without delay
- Positive drive, self-tracking belt system
- Pneumatic belt tensioning
- Food-grade sanitary design with open frame and belt lifts for tool-less washdowns

COMMON FOOD APPLICATIONS



BAKERY



CANDY



FRESH PRODUCE



MEAT



PASTA



PET FOOD



READY-TO-EAT



SNACK FOOD



PURLIFT

FEATURES + SPECS

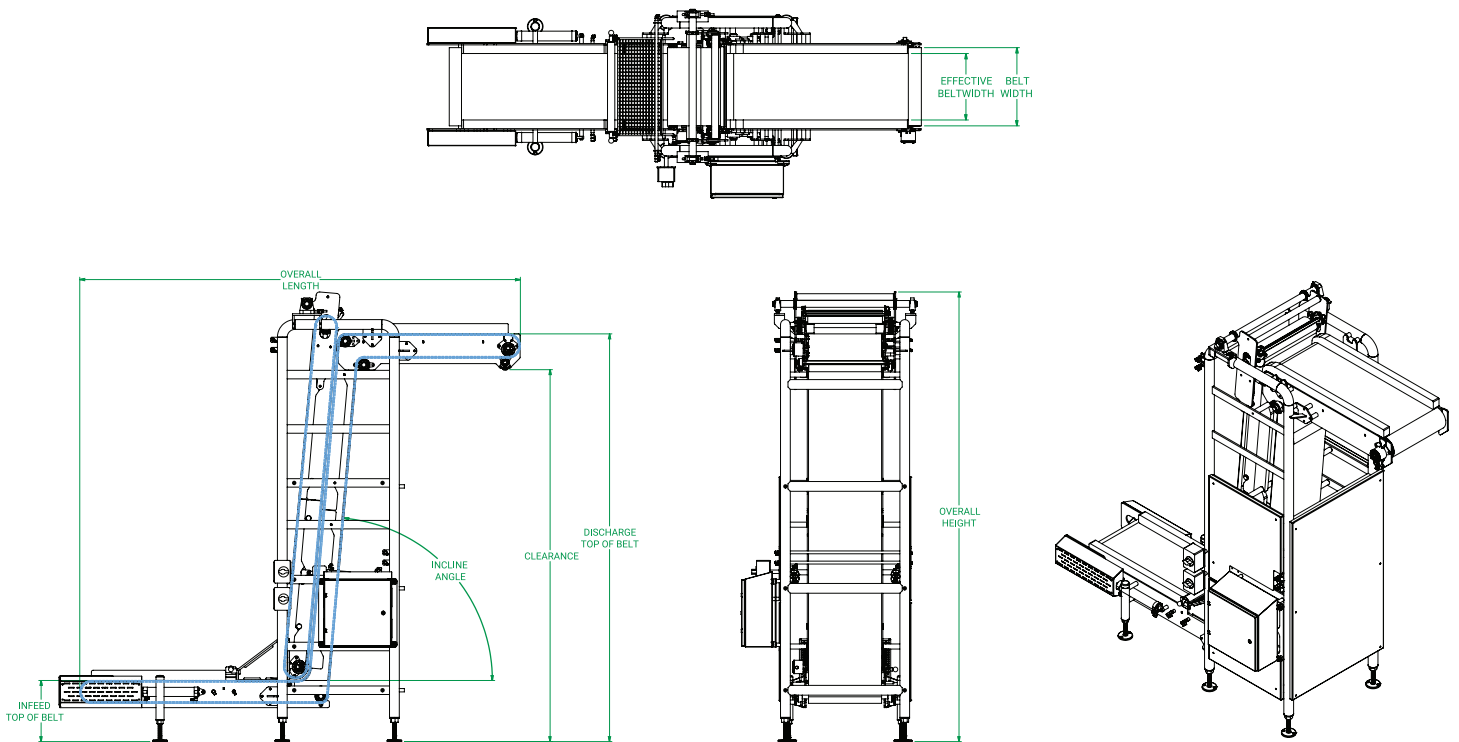
Key details to help you decide if the PURLift is right for your operation.

- Positive drive belt system
 - Pneumatic, quick release belt tensioning
 - Automatic infeed
 - Tool-less belt scrappers
 - Adjustable belt hold/pivot points
 - Infeed safety guarding
-
- Width: up to 48" (1219 mm) standard
 - Height: up to 28' (8.5 m)
 - Electrical: 230/460/575 volt

OPTIONS

Additional equipment options to customize the PURLift precisely to your application.

- Controls packages available



This drawing contains confidential information is the exclusive property of the J.E. Grote Co. Neither this document, nor its contents, are to be used, reproduced or disclosed in whole or in part without the express written permission of the J.E. Grote Co. Copyright 2022, J.E. Grote Company, Inc.

03.23v2

CONTACT US

Ready to get started on your configuration?
Contact us to customize the PURLift to your application, layout, and processes.



To feed our growing world - Together
sales@pfconveyors.com
pfconveyors.com